



Electric Motorized Projection Screen
PowerMax Series

User's Guide



Important Safety & Warning Precautions

Make sure to read this user's guide and follow the procedure below.

Caution: The screen's Black Top Drop is already set to its maximum drop distance. There is NO extra Black Top Drop in the roller. Please be aware of this as it will void your warranty with Elite Screens. Unapproved changes or modifications (except for cutting the power cord for hardwire installations) to this unit are prohibited and will void your warranty. For more information, please contact our Technical Support Department at (877) 511-1211 Ext. 604.

- Please retain this user's guide for future reference.
- To avoid damaging the unit, do not use with any unauthorized accessories not recommended by the manufacturer.
- Handle the unit carefully during transportation to avoid any damages.
- To ensure safe and reliable operation, direct connection to a properly grounded power source is advised.
- The power outlet supplying power to the unit should be close to the unit and easily accessible.
- Do not install the unit on uneven or inclined surfaces.
- Do not put heavy objects on the power cord and position it properly to avoid creating a trip obstacle.
- Never overload the power cord to prevent an electric shock or fire due to a loose contact or a short circuit.
- There are not user serviceable parts in this unit. Do not attempt to disassemble this unit by yourself. No one except authorized technicians can open and make repairs to this unit.
- Make sure the power source this unit is connected to has a continuous power flow.
- If there is need to use an extension cord, make sure the cord has an equal rating as the appliance to avoid overheat.
- Do not handle the power plug when your hands are wet or your feet are in contact with water.

Do not use this unit under the following circumstances.

- Disconnect the power cord under the conditions of heavy rain, wind, thunder or lightning.
- Avoid direct Sunshine, rain shower and moisture.
- Keep away from fire sources and high temperature to prevent this device from overheating.
- Cut off the power supply first before transportation or maintenance.
- Fully disconnect from the power supply when the unit is not in use for a long period of time, as should be done with any other electric household appliance.
- To avoid possible injury and/or an electric shock, do not attempt to use the screen if there is obvious damage or if there are any evident broken parts.

Installation Warning

Due to various installation environments, the instructions provided in this user's guide are for reference only. Please consult a professional installation company for further installation and safety advice. The installer must insure that proper mounting hardware is used to provide adequate strength suitable for the installation. Elite Screens is not liable for any faulty installations.

The Screen's **Top Black Drop** is already set to its maximum drop distance. There is **NO** extra top black drop in the roller. Please be aware of this as it will void the limitation of your warranty.

Individual modifications to this product are prohibited and will void the warranty with the manufacturer. Please contact Elite Screens Customer Service for any questions.

NOTE:

This equipment has been tested and found to comply with the limits for a Class B digital device, pursuant to Part 15 of the FCC Rules.

These limits are designed to provide reasonable protection against harmful interference in a residential installation. This equipment generates and can radiate radio frequency energy and, if not installed and used in accordance with the instructions, may cause harmful interference to radio communications.

However, there is no guarantee that the interference will not occur on a particular installation. If this equipment causes harmful interference to radio or television reception, which can be determined by turning the equipment off and on, the user is encouraged to try to correct the interference by one or more of the following measures.

- ✓ **Reorient or relocate the receiving antenna of the device which may be causing the interference.**
- ✓ **Increase the separation between the screen and the device's receiver.**
- ✓ **Connect the equipment into a different power outlet other than the device.**

Pre-Installation

1. Carefully unpack the screen.
2. Always handle the screen in a leveled position on a clean surface.
3. In order to protect the screen from exposure to stains, keep the screen out of contact with foreign particles such as dust, sawdust, and/or liquids.

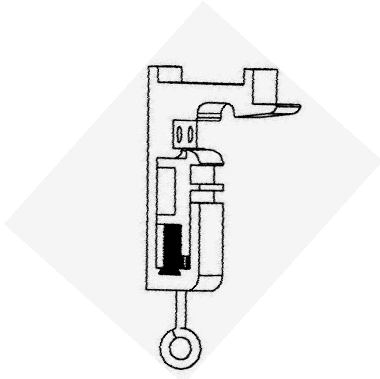
NOTE

Regardless of the mounting method, the screen should be securely supported so that the vibration or pulling on the viewing surface will not cause the casing to become loose or fall. The installer must insure that the fasteners used are of adequate strength and suitable for the installation location.

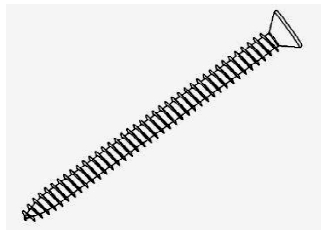
Hardware Parts List for the PowerMax Series

Please make sure all parts listed below are included before proceeding with the installation.

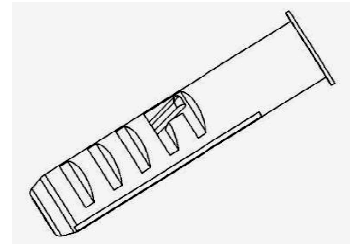
a.



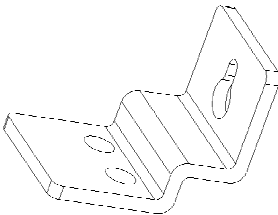
b.



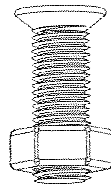
c.



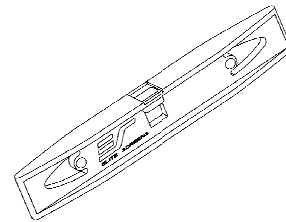
d.



e.



f.



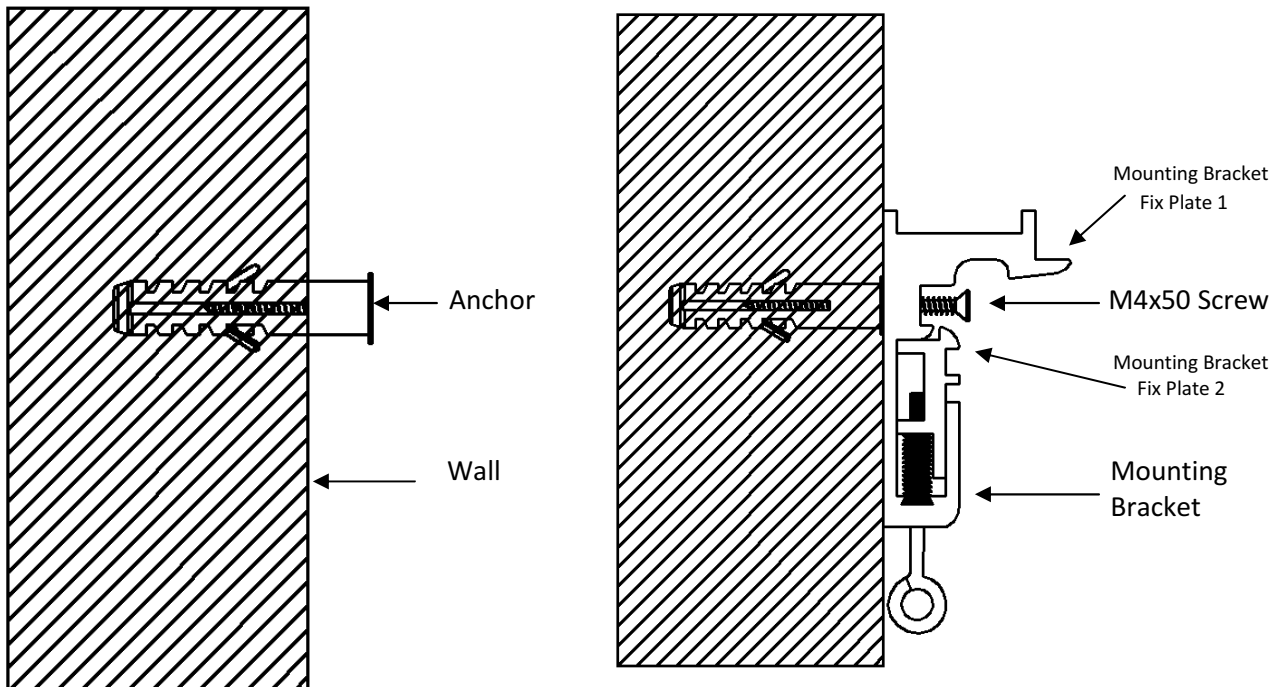
Hardware Parts List	QTY
a. Mounting Bracket	2
b. M4x50 Screw	4
c. M10 Anchor	4
d. Suspended Ceiling Bracket Connector	2
e. M5x15 Screw & Bolt	4
f. Bubble Level	1

Installation Instructions

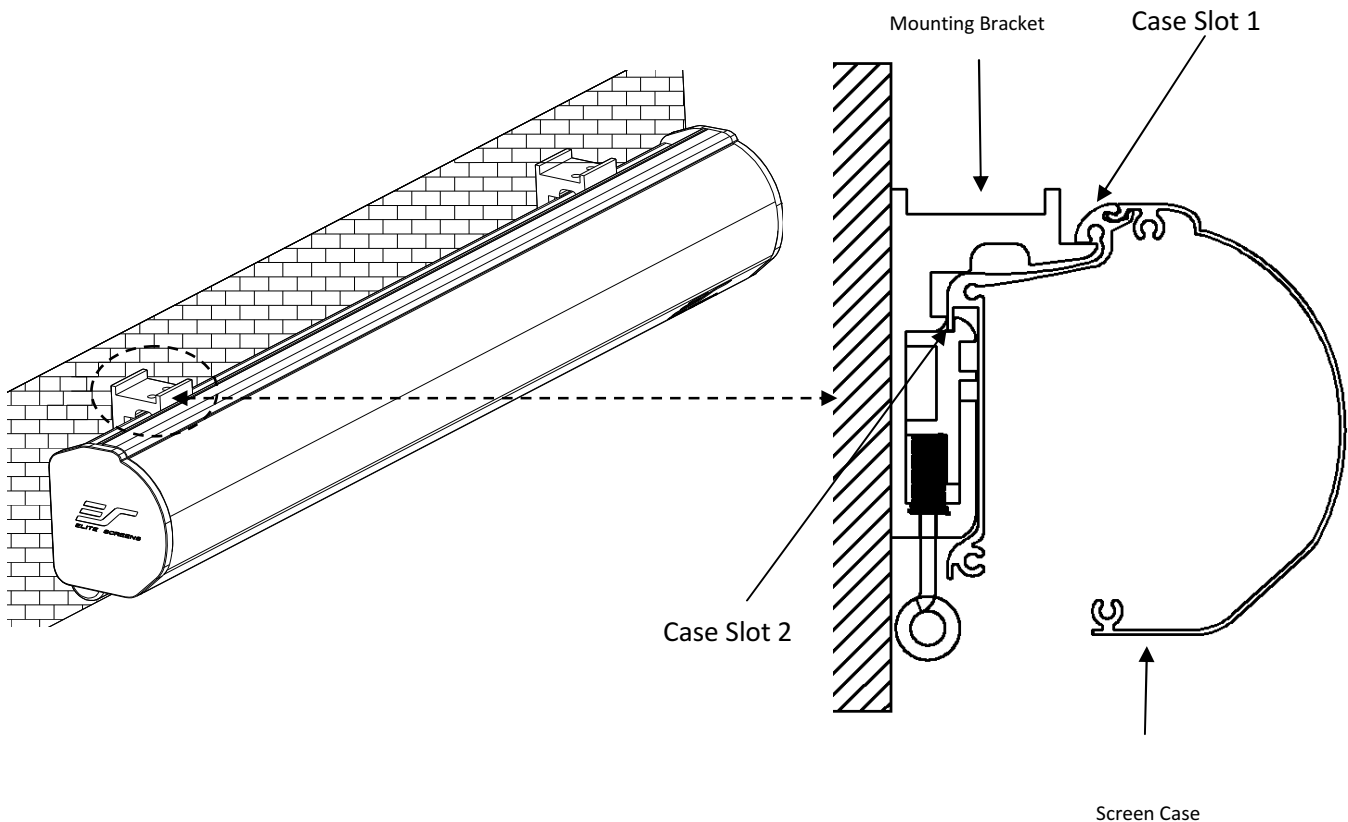
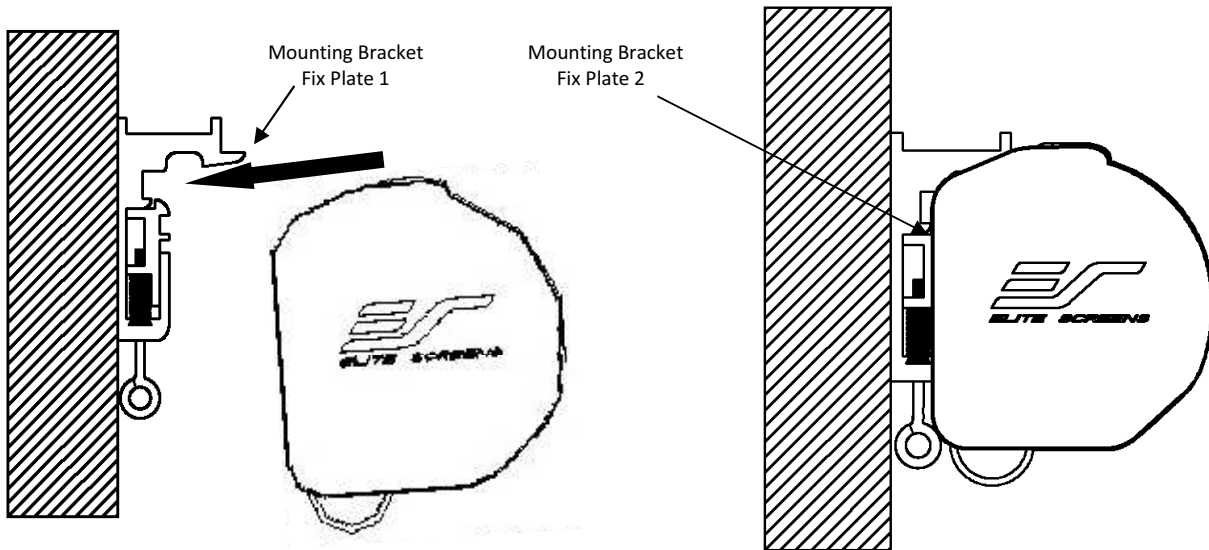
Please consult a professional installer. Elite Screens is not liable for faulty installations.

Flush Mount to the Wall

1. Mark the location of where the screen is to be installed, drill your holes, and insert the M10 Anchors (c).
2. Install the Mounting Brackets (a) to the wall and secure with the M4x50 Screws (b).

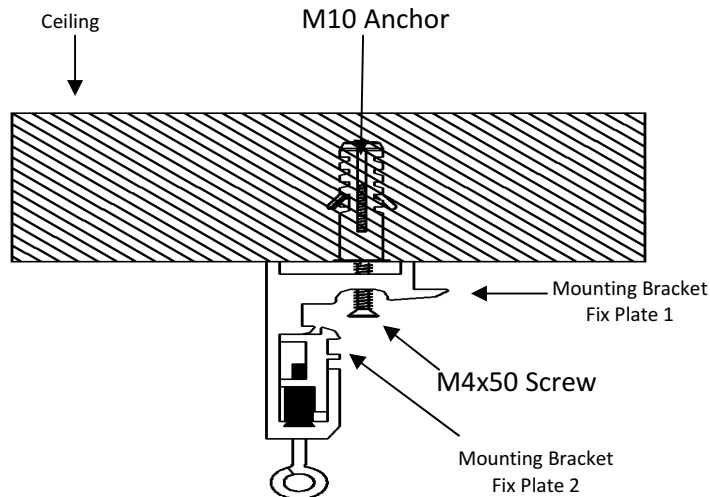


3. Attach the screen to the Mounting Bracket by inserting the top of the case to the first fix plate, and securing the back of the case to the second Fix Plate. Make sure the case slots are securely attached to the Mounting Bracket.

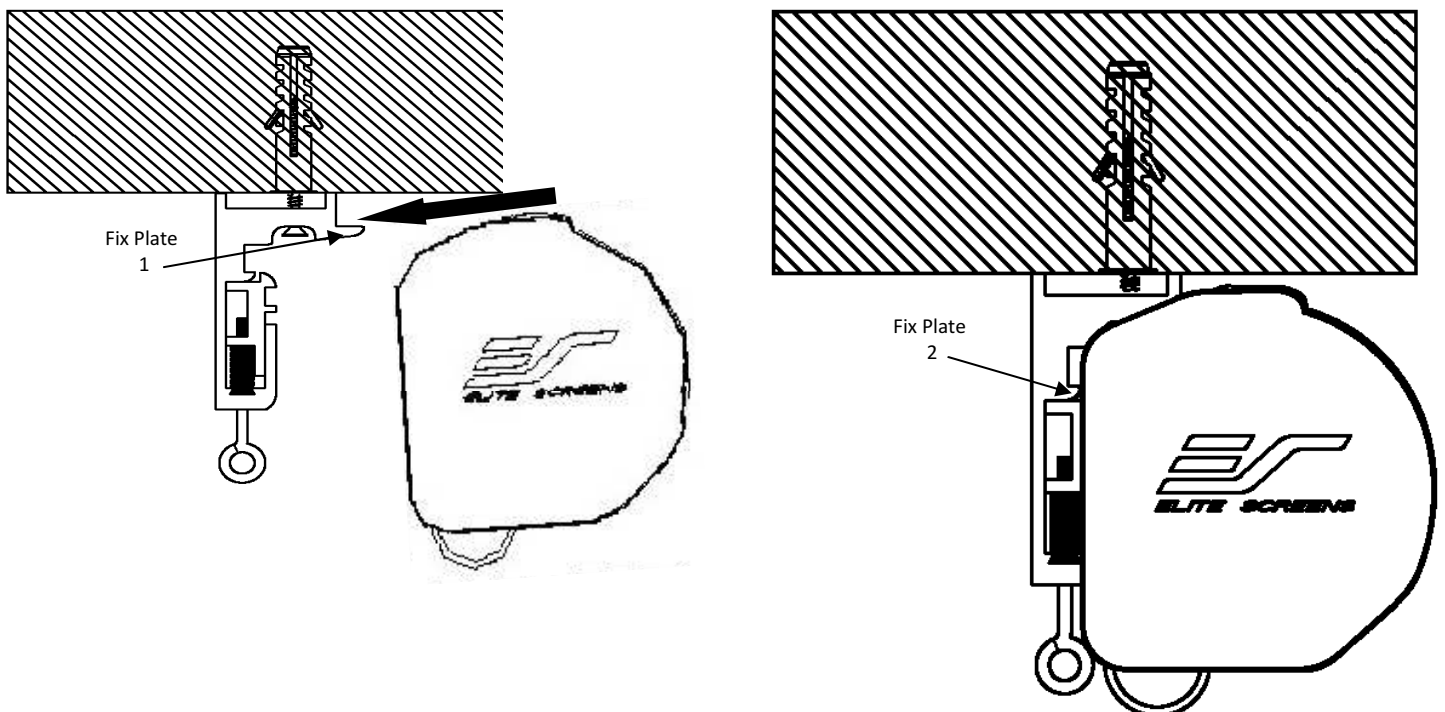


Flush Mount to the Ceiling

1. Mark the location of where the screen is to be installed, drill your holes, and insert the M10 Anchors (c).
2. Install the Mounting Brackets (a) to the ceiling and secure with the M4x50 Screws (b).

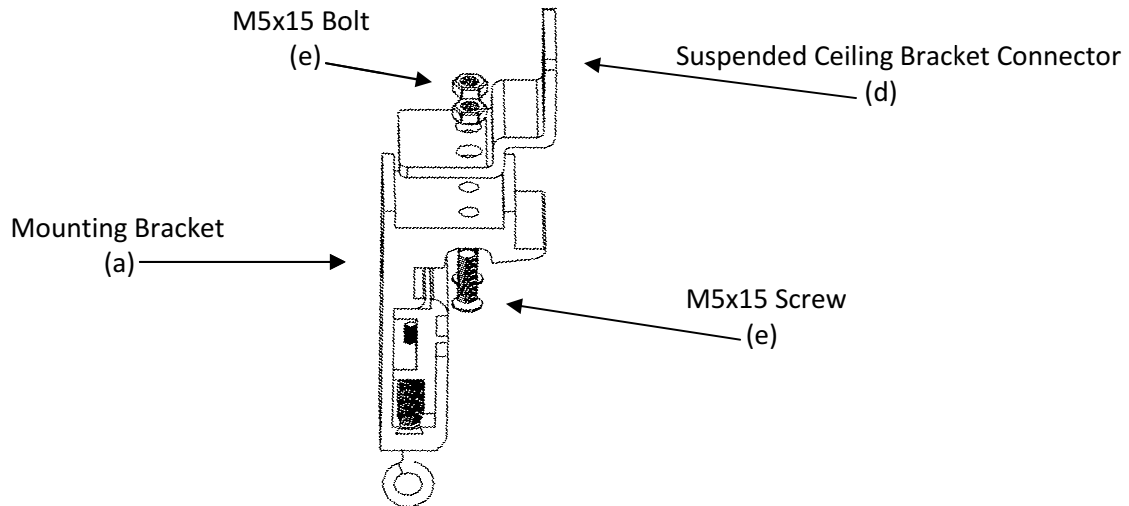


3. Attach the screen to the Mounting Bracket by inserting the top of the case to the first Fix Plate, and securing the back of the case to the second Fix Plate. Make sure the case slots are securely attached to the Hanging Bracket.

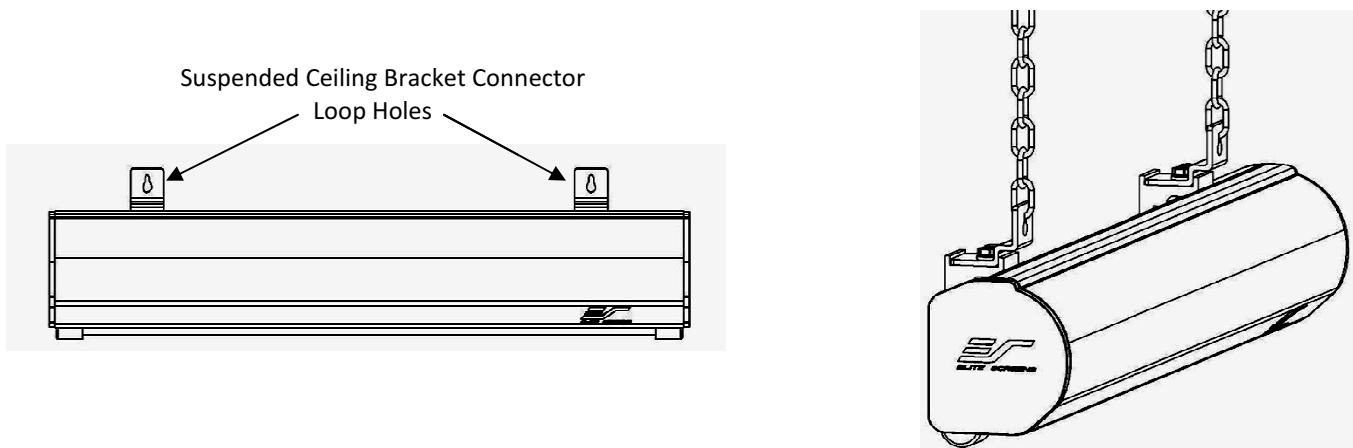


Suspended Ceiling using Chains (additional hardware required)

1. You can also hang the screen on a ceiling by using chains (not included).
2. Connect the Suspended Ceiling Bracket Connector (d) to the Mounting Bracket (a) and secure with the M5x15 Screws & Bolts (e).

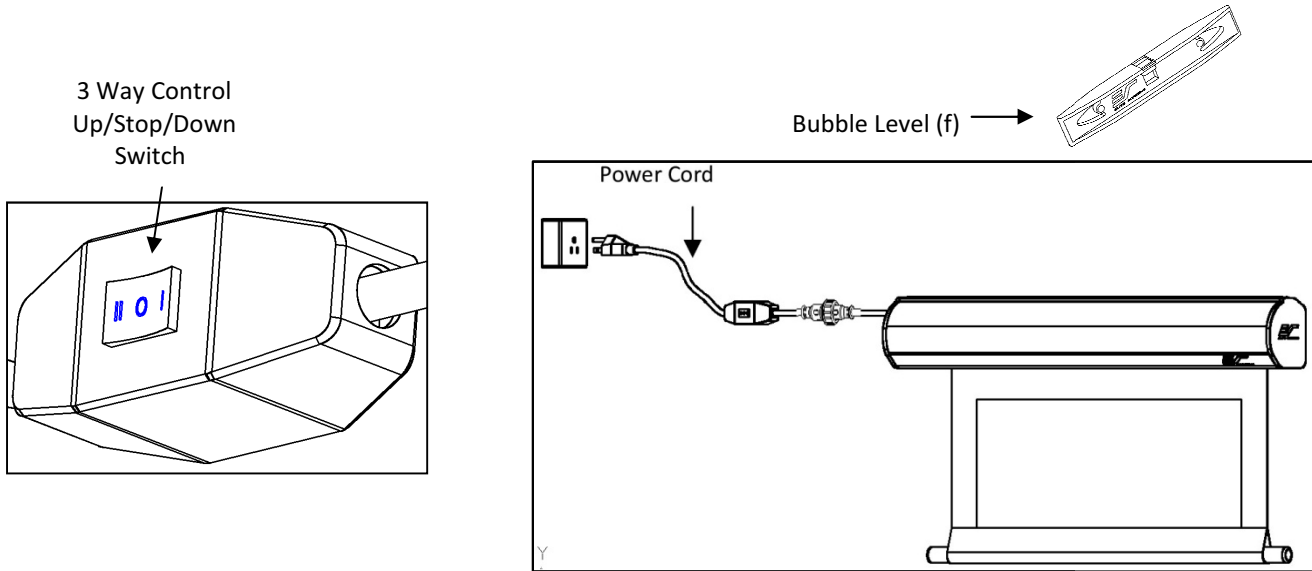


3. Insert chains (not included) through the loop holes of the Suspended Ceiling Bracket Connector (d).



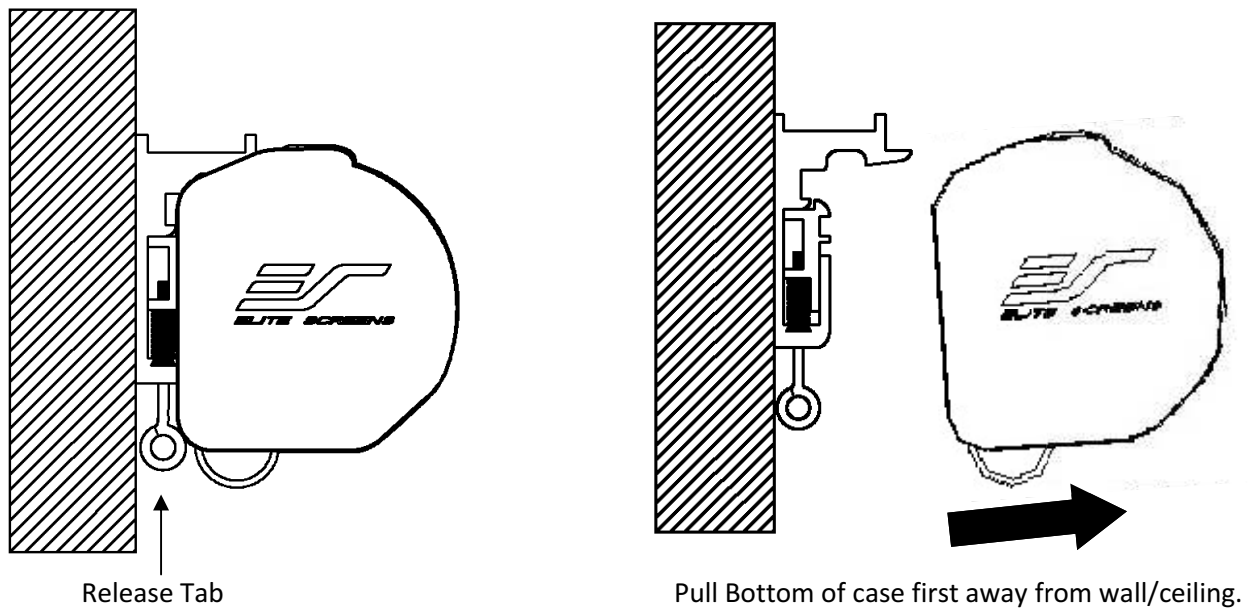
Built in 3 Way Control Switch

1. The PowerMax Series comes with a 3 Way Control Switch attached to the Power Cord, which is 3.5 meters in length.
2. Use the provided Bubble Level (f) to ensure the screen is level before plugging in the power cord.



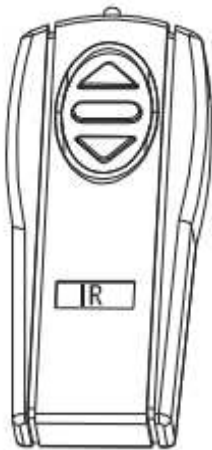
Remove Screen from Mounting Brackets

1. Pull down on the Mounting Bracket Release Tab and remove the bottom of the case first, away from the wall/ceiling, followed by the top of the case.



ZPM-RT Optional Remote Control Kit for PowerMax Series

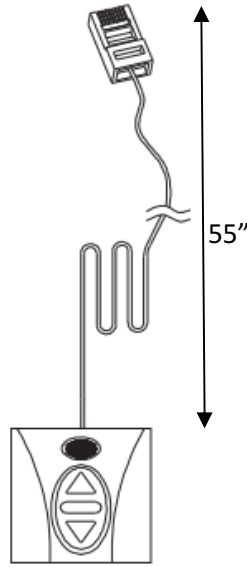
Please contact Elite Screens to purchase the optional ZPM-RT Remote Control Kit.



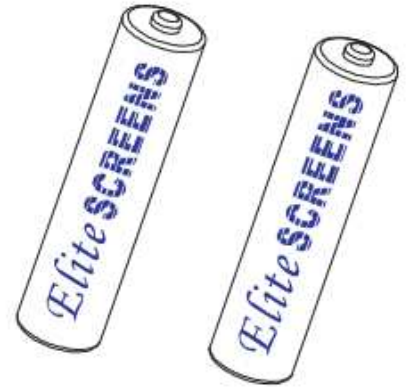
A.
IR Remote



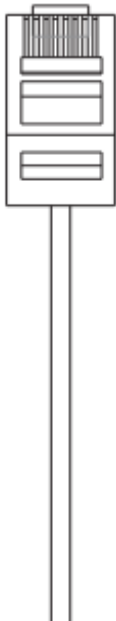
B.
RF Remote



C.
3 Way Wall Switch



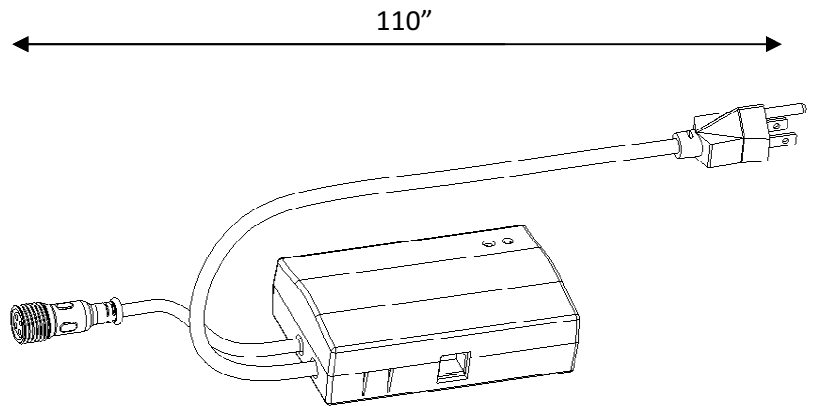
D.
AAA Battery x 2



E.
12V Trigger



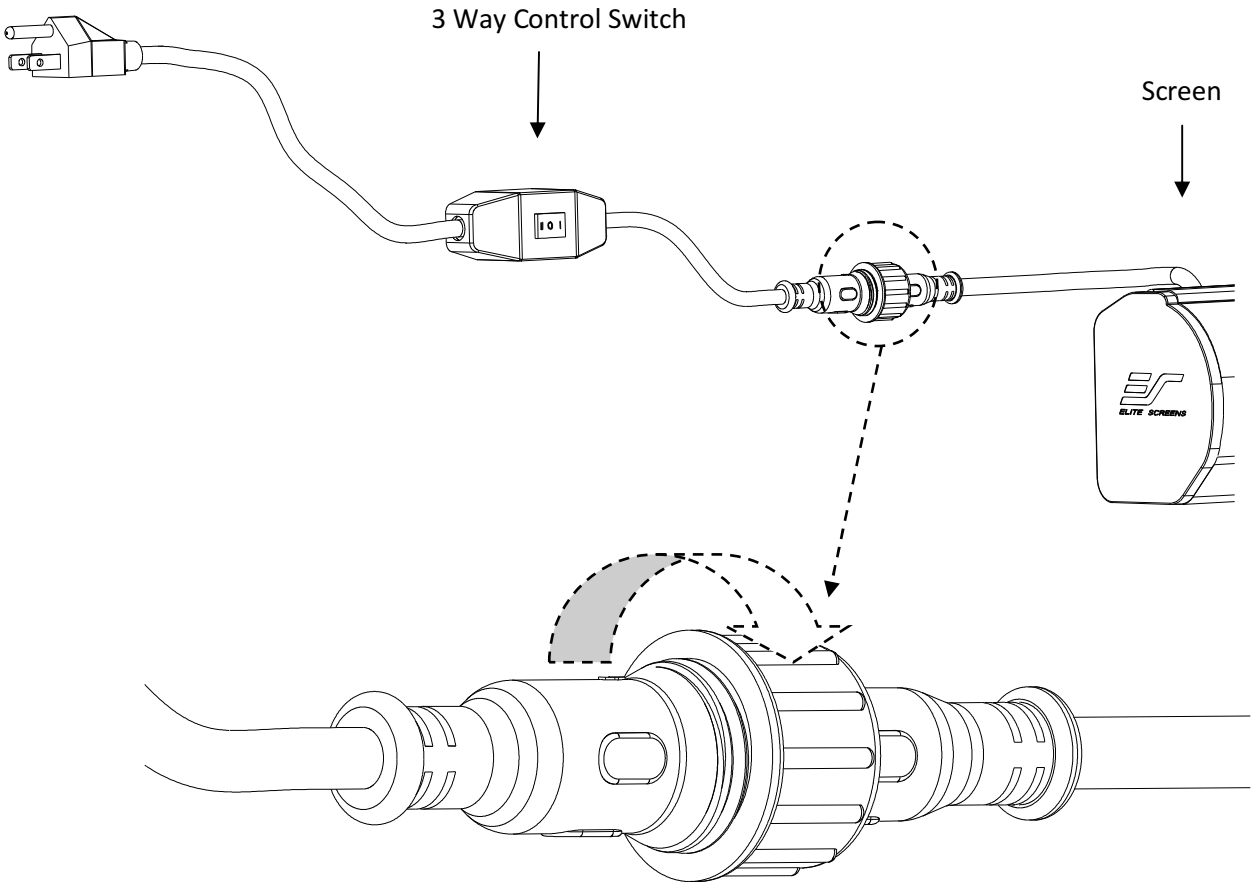
F.
IR Eye Receiver



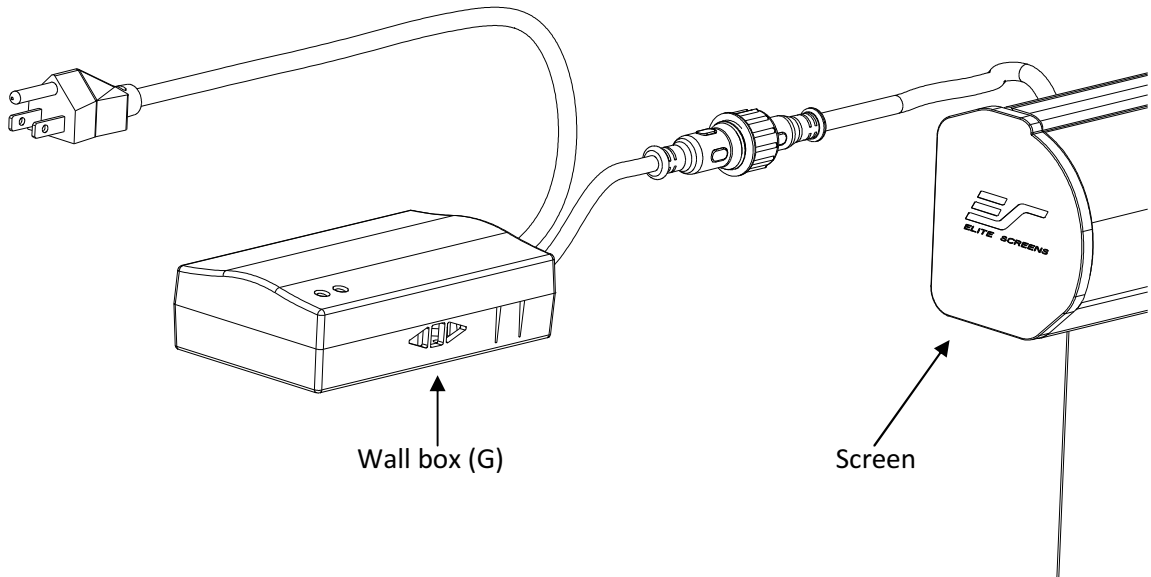
G.
Wall Box

ZPM-RT Installation & Control Instructions 1

1. Disconnect the 3 Way Control Switch from the PowerMax Screen as shown below.



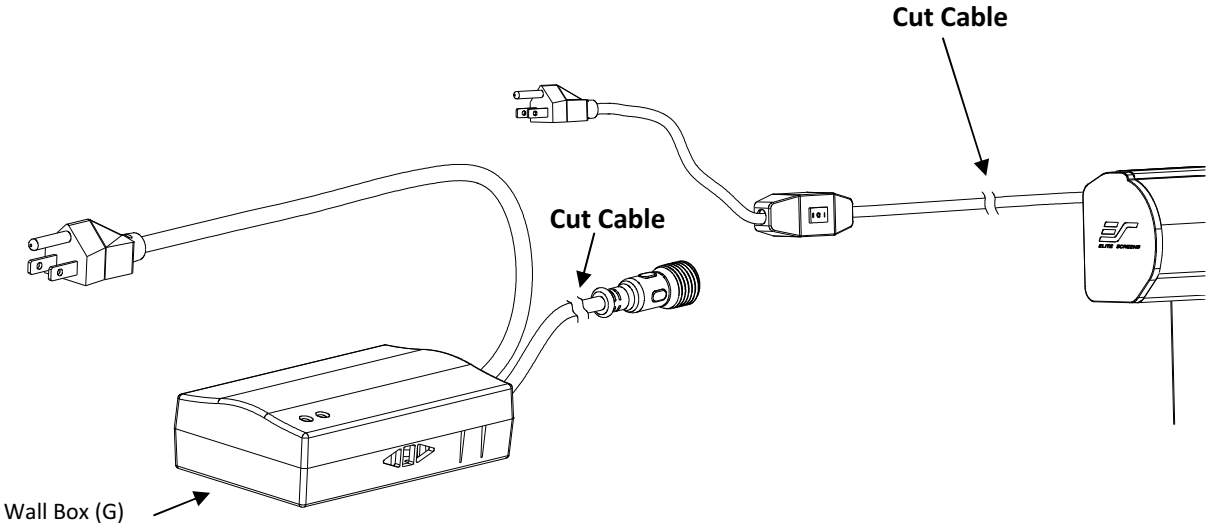
2. Connect the **Wall Box (G)** to the screen as shown below.



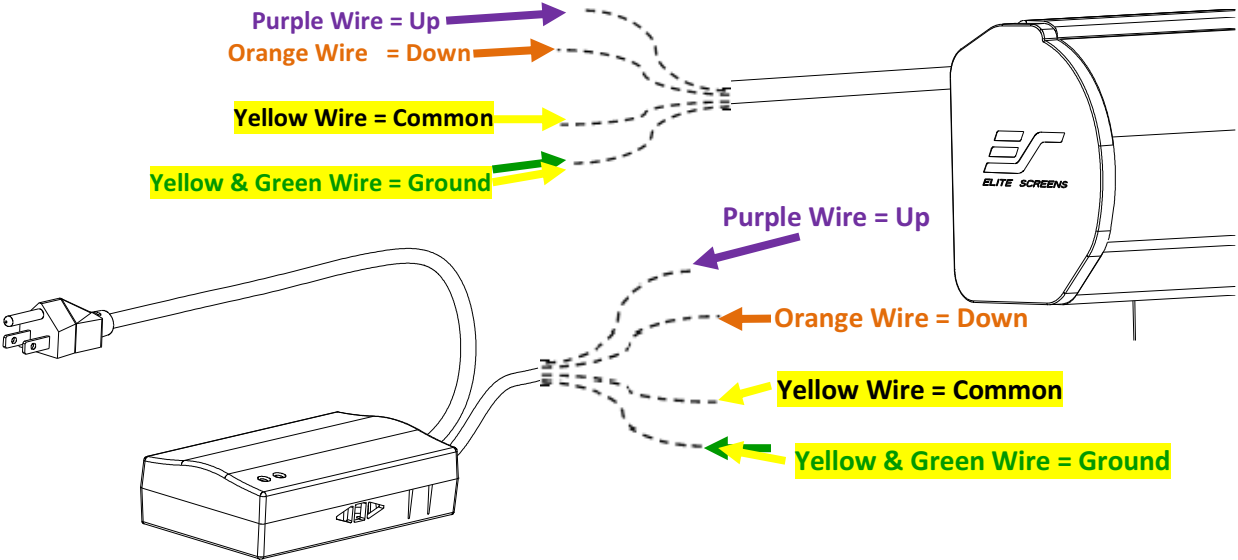
ZPM-RT Installation & Control Instructions 2

Please consult a professional installer for this procedure. Elite Screens is not responsible for faulty installations.

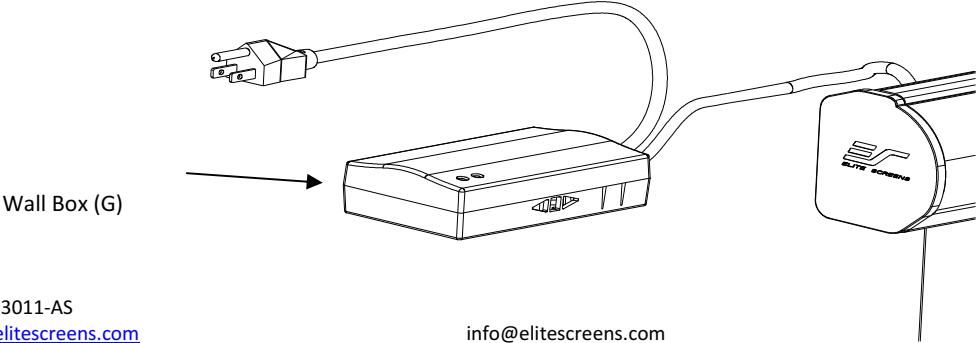
- 1. Cut the cable of both the Wall Box (G) and the attached Control Switch to expose the wires.



- 2. Connect the wires from the screen to the Wall box (G) according to their specific color.

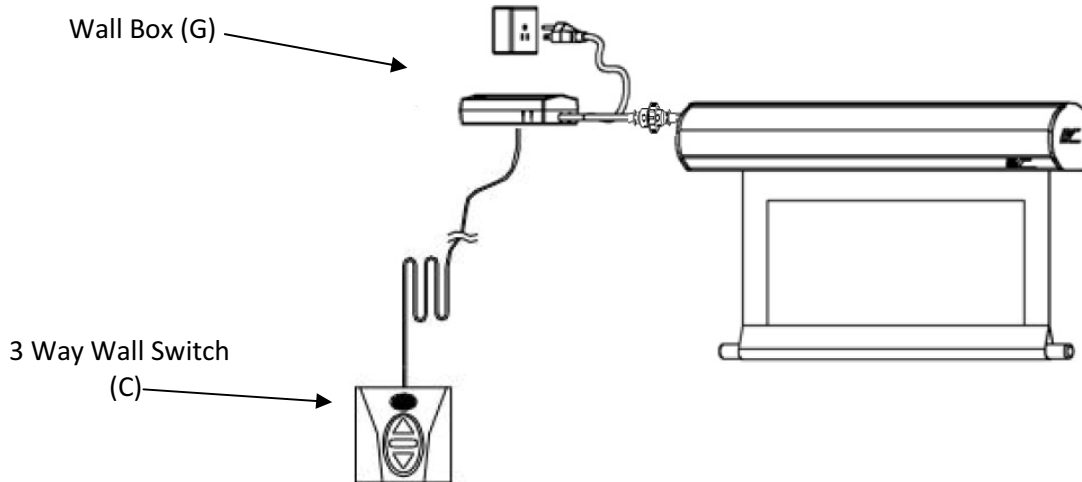


- 3. The Wall Box (G) should be connected to your screen as shown below.



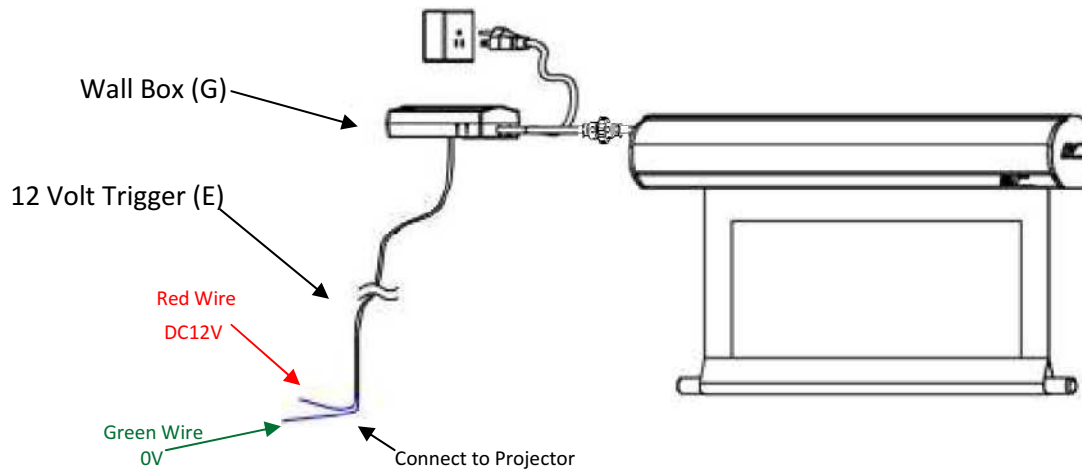
3 Way Wall Switch (C)

1. Connect the **3 Way Wall Switch (C)** to the **Wall Box (G)** and mount on wall.



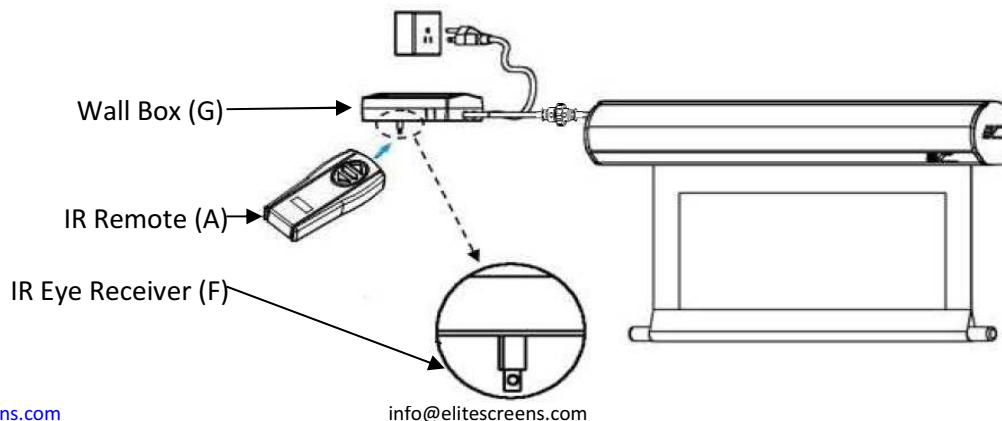
12 Volt Trigger (E)

1. Connect the **12 Volt Trigger (E)** to the **Wall Box (G)** for set up to your projector.



IR Eye Receiver (F)

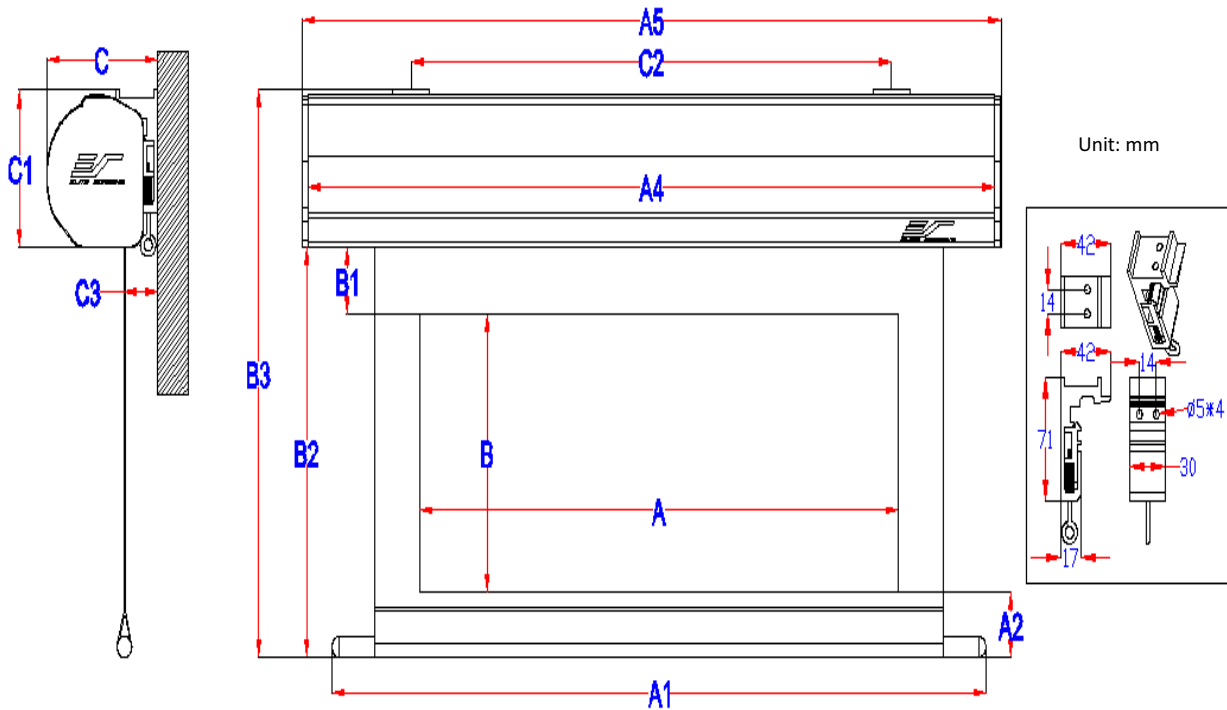
1. Connect the **IR Eye Receiver (F)** to the **Wall Box (G)** for high wall or ceiling installations



PowerMax Dimension Table

Unit: mm															
Model	Diagonal Size/Aspect Ratio	View Width (A)	Weight Bar Length (A1)	(A2)	L/R Black Border (A3)	(A4)	Overall Length (A5)	View Height (B)	Top Black Drop (B1)	(B2)	Overall Height (B3)	(C)	(C1)	(C2)	(C3)
PM90V	90" (4:3)	1829.0	1985.0	70.0	38.0	1990.0	2000.0	1372.0	127.0	1569.0	1657.0	90.0	88.0	1400.0	28.0
PM100V	100" (4:3)	2032.0	2212.0	70.0	50.0	2217.0	2227.0	1524.0	127.0	1721.0	1809.0	90.0	88.0	1627.0	28.0
PM120V	120" (4:3)	2438.0	2618.0	70.0	50.0	2623.0	2633.0	1829.0	102.0	2001.0	2089.0	90.0	88.0	2033.0	28.0
PM91H-E12	91" (16:9)	2017.0	2173.0	70.0	38.0	2178.0	2188.0	1133.0	305.0	1508.0	1596.0	90.0	88.0	1588.0	28.0
PM100H-E12	100" (16:9)	2214.0	2394.0	70.0	50.0	2399.0	2409.0	1245.0	305.0	1620.0	1708.0	90.0	88.0	1809.0	28.0
PM110H-E12	100" 16:9	2435.0	2615.0	70.0	50.0	2620.0	2630.0	1370.0	305.0	1745.0	1833.0	90.0	88.0	2030.0	28.0
PM120H-E12	120" 16:9	2657.0	2837.0	70.0	50.0	2842.0	2852.0	1494.0	305.0	1869.0	1957.0	90.0	88.0	2252.0	28.0
Unit: Inch															
Model	Diagonal Size/Aspect Ratio	View Width (A)	Weight Bar Length (A1)	(A2)	L/R Black Border (A3)	(A4)	Overall Length (A5)	View Height (B)	Top Black Drop (B1)	(B2)	Overall Height (B3)	(C)	(C1)	(C2)	(C3)
PM90V	90" (4:3)	72.0	78.1	2.8	1.5	78.3	78.7	54.0	5.0	61.8	65.2	3.5	3.5	55.1	1.1
PM100V	100" (4:3)	80.0	87.1	2.8	2.0	87.3	87.7	60.0	5.0	67.8	71.2	3.5	3.5	64.1	1.1
PM120V	120" (4:3)	96.0	103.1	2.8	2.0	103.3	103.7	72.0	4.0	78.8	82.2	3.5	3.5	80.0	1.1
PM91H-E12	91" (16:9)	79.4	85.6	2.8	1.5	85.7	86.1	44.6	12.0	59.4	62.8	3.5	3.5	62.5	1.1
PM100H-E12	100" (16:9)	87.2	94.3	2.8	2.0	94.4	94.8	49.0	12.0	63.8	67.2	3.5	3.5	71.2	1.1
PM110H-E12	100" 16:9	95.9	103.0	2.8	2.0	103.1	103.5	53.9	12.0	68.7	72.2	3.5	3.5	79.9	1.1
PM120H-E12	120" 16:9	104.6	111.7	2.8	2.0	111.9	112.3	58.8	12.0	73.6	77.0	3.5	3.5	88.7	1.1

Measurements are intended as a reference only and are subject to change without notice. Note: Data Error may be ±1"



Warranty Policy

- **Two (2) Year** parts and labor warranty from defects in workmanship from purchase date as follows (except for refurbished units as specified below).
- **Three (3) Year** parts and labor warranty from defects in workmanship for **GEMR** (Government, Educational, Military, & Religious) purchases of new product only.
- **Refurbished Units** carry a **90-DAY** parts and labor warranty.
- Each party will be responsible for one way shipping during the warranty period.
- A **RMA (Return Merchandise Authorization) number** must be issued in order to process a replacement or to authorize a return for warranty repair. Elite Screens will, at its sole option replace or repair the defective unit with a replacement *(see exceptions below) after the defective unit or parts have been received. Once the product is received, Elite Screens will send out a replacement *unit to the customer by ground service (subject to inventory availability).
- **Do Not Return Any Unauthorized Items to Elite Screens, as they will be refused and returned at your expense. The RMA Number must be included on the outside label of your shipping box. Our warehouse is not authorized to accept returns without an RMA number on the shipping label.**
- **RMA Numbers are valid for 45 days from the date issued.**
- **Missing Parts** must be reported within 7 days of receipt. If reported after 7 days, the customer will be responsible for shipping and handling fees. If reported after 30 days of receipt, the customer will be responsible for cost of parts and shipping & handling fees.

*A New or refurbished replacement will be send out to the customer depending on the type of purchase (new or refurbished) and based on stock availability.

North America only U.S. and Canada

For Warranty and Service requests, please submit an RMA/Service Form at:

www.elitescreens.com/warrantysupportform

Please visit this link for full Warranty information:

www.elitescreens.com/warranty

For Customer Service and Technical questions, please contact Elite Screens at:

Telephone: (877) 511-1211

service@elitescreens.com

Fax: (562) 926-8433

techsupport@elitescreens.com

REMEMBER TO REGISTER YOUR PRODUCT AT:

WWW.ELITESCREENS.COM

Contact Information

US & Canada Tech Support & Warranty Claim

Please contact us at service@elitescreens.com or call +1 877-511-1211 #3 or fax +1-562-926-8433

Europe Tech Support & Warranty Claim

Please contact us at service@elitescreens.eu or call +49-(0) 40-30392958

Asia Tech Support & Warranty Claim

Please contact us at service@elitescreens.com.cn or call +86-(0) 755-8461-7989

Taiwan Tech Support & Warranty Claim

Please contact us at service@elitescreens.com.tw or call +866+2+8990-1999

America:

Elite Screens Inc

16410 Manning Way
Cerritos, CA 90703 USA
Tel: +1-877-511-1211
Fax: +1-562-926-8433
info@elitescreens.com
www.elitescreens.com

Europe:

Elite Screens Europe

Lübecker Straße 1
22087 Hamburg, Germany
Tel: +49-4030392494
Fax: +49-40-49219200
info@elitescreens.eu
www.elitescreens.eu

Asia:

Elite Screens China Corp.

Longxi Duimianling Industry Zone
Longcheng Longgang District,
ShenZhen GuangDong, China
Tel: +86-(0)755-8461-7989
Fax: +86-(0)755-8461-7669
info@elitescreens.com.cn
www.elitescreens.com.cn

Elite Screens France S.A.S

11, Allée William Penn
92150 Suresnes, France
Tel: +33-1-45064735
Fax: +33-1-45064735
info.fr@elitescreens.com
www.elitescreens.com/fr

Taiwan:

Elite Screens Taiwan Corp.

4F., No. 42-1 Wuguan Rd. Wugu Township Taipei
County 248, Taiwan (Wugu Industrial Park)
Taiwan (R.O.C)
Tel: +886+2+8990-1999
Fax: +886+2+8990+1366
info@elitescreens.com.tw
www.elitescreens.com.tw

Japan:

Elite Screens Japan Corp.

467-2-606 Tsuruma, Machida-shi,
Tokyo, 194-0004 Japan
Tel: 0120-07-0008
Fax: +81(0)42-706-9130
info@elitescreens.jp
www.elitescreens.jp

Latin America Contact:

Info.la@elitescreens.com

East Asia Contact:

Info.ea@elitescreens.com

India Contact:

Info.india@elitescreens.com